



META[®] Shock X

by WillowWood

PRODUCT HIGHLIGHTS:

- 40° TORSIONAL ROTATION
- RESPONSIVE SHOCK ABSORPTION
- LOW BUILD HEIGHT/HIGH DISPLACEMENT
- LIGHTWEIGHT UNIBODY CARBON FIBER DESIGN
- SPLIT KEEL
- CORROSION RESISTANT AND WATERPROOF

OVERVIEW:

The META Shock X is a high activity carbon fiber prosthetic foot with all the features of the META Shock foot plus torsion for increased range of motion and functional mobility.

The revolutionary unibody design and low build height characteristic of the META foot family offer market-leading levels of deflection in a compact, lightweight package. The design offers users greater support in mid-terminal stance, delivers a smooth roll over and eases transitions between gait phases. The META Shock X builds upon this foundation by combining multiphase shock absorption of the META Shock foot with 40° axial rotation in the ankle.

This integrated torsion component reflexively adapts to variations when walking on uneven terrain and promotes natural rotational movement and gait fluency with less torque applied to the residual limb.



165 kg (365 lb)

PDAC
APPROVED



- ✔ TRANSFEMORAL
- ✔ TRANSTIBIAL

PDAC APPROVED L-CODES: L5987 and L5984

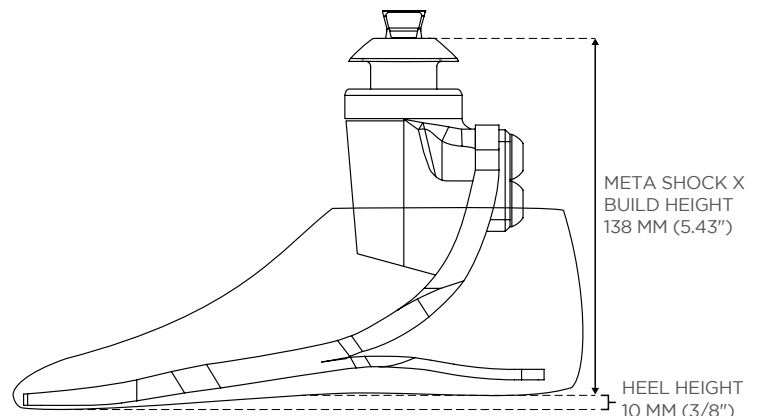
META SHOCK X FOOT: SPECIFICATIONS

HEEL HEIGHT: 10 mm (3/8")

**APPROXIMATE
PRODUCT WEIGHT:** 720 g

*Size 26 Category 5 with foot cover and sock

TRIAL PERIOD: 60 days
from date of patient fitting



META SHOCK X FOOT: ORDERING INFORMATION

META SHOCK X FOOT CATEGORY CHART

Adjusted User Weight (patient body weight + loads carried)	Low Impact Level		Medium Impact Level		High Impact Level	
	Sizes 22-24 cm	Sizes 25-30 cm	Sizes 22-24 cm	Sizes 25-30 cm	Sizes 22-24 cm	Sizes 25-30 cm
99-115 lbs (45-51 kg)	1	1	1	1	2	2
116-130 lbs (52-58 kg)	1	1	2	2	3	3
131-150 lbs (59-67 kg)	2	2	3	3	4	4
151-170 lbs (68-76 kg)	3	3	4	4	5	5
171-194 lbs (77-87 kg)	4	4	5	5	-	6
195-221 lbs (88-99 kg)	5	5	-	6	-	7
222-256 lbs (100-115 kg)	-	6	-	7	-	8
257-287 lbs (116-130 kg)	-	7	-	8	-	9
288-324 lbs (131-147 kg)	-	8	-	9	-	-
325-365 lbs (148-165 kg)	-	9	-	-	-	-

HOW TO ORDER

META Shock X Foot with Spectra Sock

Ordering example:

META Shock X Foot, 25 cm, left foot, toe resistance 2, medium impact

M006 - 25L - 2M

Sandal Toe Foot Shell

Ordering example:

Sandal Toe Foot Shell, 25 cm, left foot, tan

FS01 - 25LT

Model	Size of Foot	Foot	Toe Resistance	Impact Level	Size of Foot	Foot	Color
M006 = META Shock X Foot	22-30 cm	L = left R = right	01-09 (Refer to the chart above)	L = low M = medium H = high	22-30 cm	L = left R = right	B = Buff T = Tan M = Medium Brown