

WILLOWWOOD®

LimbLogic® M

Product Highlights

- Adjustable vacuum levels
- Low 3.6" build height
- Standard 4-hole pattern
- Suitable for patient weight of 100 to 330 pounds
- No hoses or charging needed

For transtibial amputees who prefer a simple, elevated vacuum system without compromising security, the LimbLogic M is an ideal option. This low build height, four-hole mount pump with rotatable distal pyramid provides clinicians easy set-up in a prosthesis and flexibility in componentry selection and alignment. With LimbLogic M an amputee may don their prosthesis and within a few steps have secure vacuum.

Distinguishing features of LimbLogic M are its adjustable vacuum settings and adjustable stiffness levels. Clinicians may select low or high vacuum settings by turning a screw on the posterior side of the pump. Additionally, by turning a screw inset into the distal pyramid, clinicians may increase or decrease the stiffness of the pump and its amount of shock absorption. With these features the LimbLogic M offers optimal patient comfort with secure elevated vacuum suspension.

LimbLogic M: Specifications

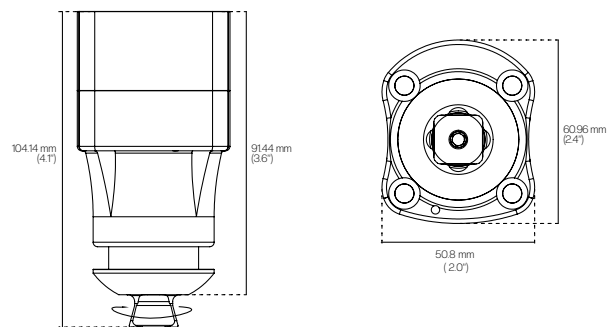
Product Weight: 475 g

Product Height: 104.14 mm (4.1")

Build Height: Pump – 91.44 mm (3.6")

Warranty: 24 months from date of patient fitting

Trial Period: 30 days from date of patient fitting



✔ Transtibial

L-Code Suggestion: L5781, L5988

Part Numbers:

Item #	Product Description
LLM-1001-L	LimbLogic M, Light
LLM-1000-L	LimbLogic M, Standard
LLM-11001	LimbLogic M Diagnostic Kit
LLM-KIT-L	LimbLogic M Lamination Fabrication Kit

What's Included:

LimbLogic M Lamination Fabrication Kit
LLM-11001



Additional Options:

LimbLogic M Diagnostic Kit
LLM-11001

