

WILLOWWOOD®

2024

Modular Components  
Catalog

Phone:

(Toll free, U.S.) 1.800.848.4930

(Local, International) 740.869.3377

Address:

WillowWood Global LLC

15441 Scioto Darby Road, P.O. Box 130

Mt. Sterling, Ohio 43143, USA

# Modular Components:

## Socket Attachment Adapters

Simple socket attachment adapters help you save valuable time and deliver sockets of high quality and sound construction.

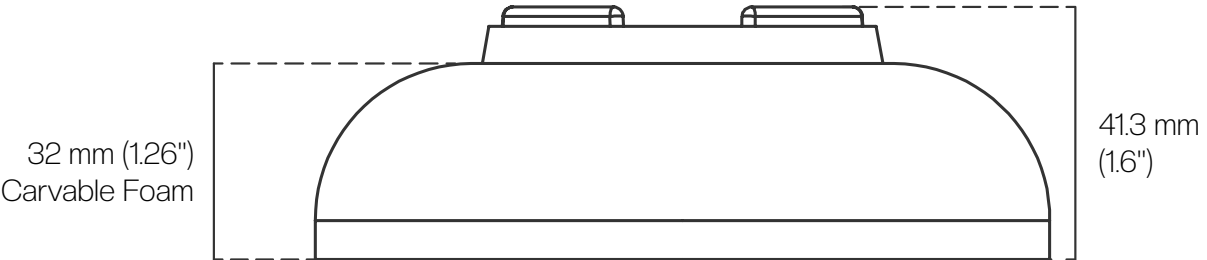
### Laminated Socket Attachment Block

The popular Laminated Socket Attachment Block provides a 4-Hole pattern attachment point in laminated sockets. Whether ordered with foam or without foam, it includes screws, carbon tape, laminating cap, and screw caps.

Product Weight: With foam - 124 g  
Without foam - 67 g

Warranty: 12 months from date of patient fitting

Product	Item #
4-Hole Socket Attachment Block with Foam	700-200
4-Hole Socket Attachment Block without Foam	700-250



# Modular Components:

## Socket Attachment Adapters

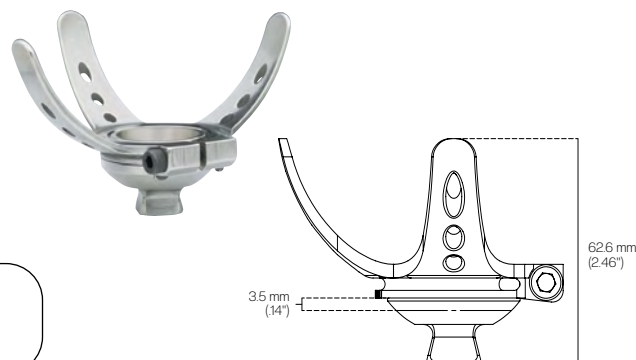
The lightweight, 3-prong Stainless Steel AK Rotatable Pyramid Adapter and Stainless Steel AK Rotatable Pyramid Receiver provide the additional strength required in above knee sockets. Three hundred and sixty degrees of rotation, controlled by a cinch bolt, are supplied in these adapters.

### Stainless Steel AK Rotatable Pyramid

This lightweight, 3-prong unit provides the additional strength required in above knee sockets. Three hundred and sixty degrees of rotation are supplied in this male pyramid.

Product Weight: 198 g

Warranty: 12 months from date of patient fitting



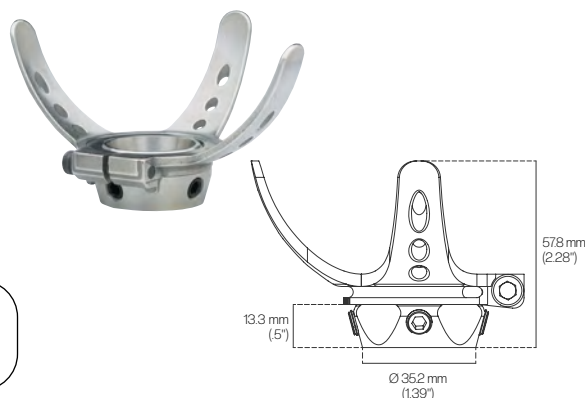
Product	Item #
Stainless Steel AK Rotatable Pyramid	FND-268001

### Stainless Steel AK Rotatable Receiver

Above knee sockets require the strength provided in this lightweight, 3-prong unit. This female pyramid receiver supplies three hundred and sixty degrees of rotation, controlled by a cinch bolt.

Product Weight: 191 g

Warranty: 12 months from date of patient fitting



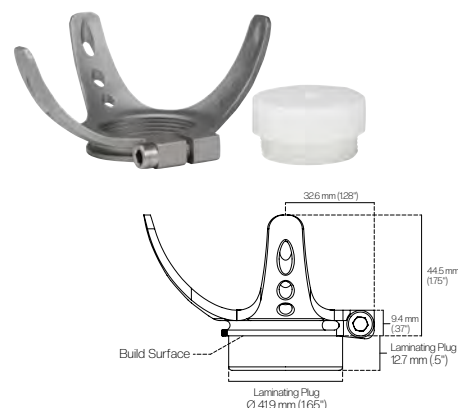
Product	Item #
Stainless Steel AK Rotatable Pyramid Receiver	FND-268000

### Stainless Steel AK Rotatable 3-Prong Base

The 3-prong base used in our Stainless Steel AK Rotatable Pyramid Adapters and Receivers is also available separately, for attachment to any M36 thread male component.

Product Weight: 119 g

Warranty: 12 months from date of patient fitting



Product	Item #
Stainless Steel AK Rotatable 3-Prong Base (includes plug)	FND-268002
AK 3-Prong Lamination Plug	FND-268005

# Modular Components:

## Socket Attachment Adapters

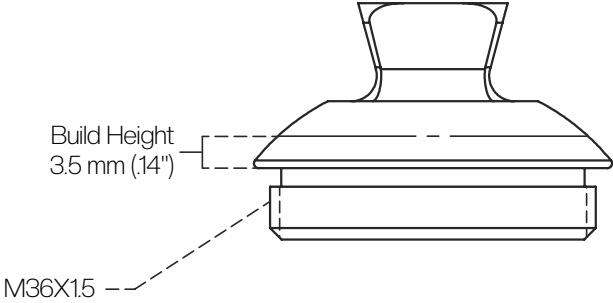
### Titanium Threaded Rotatable Pyramid Insert

This component threads into FND-268002.

Product Weight: 38 g

Warranty: 12 months from date of patient fitting

Product	Item #
Titanium Threaded Rotatable Pyramid Insert	FND-268003



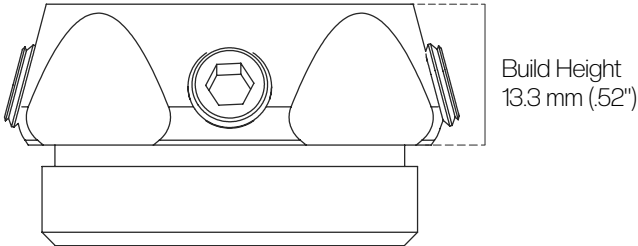
### Titanium Threaded Rotatable Pyramid Receiver Insert

This component threads into FND-268002.

Product Weight: 53 g

Warranty: 12 months from date of patient fitting

Product	Item #
Titanium Threaded Rotatable Pyramid Receiver Insert	FND-268004



# Modular Components:

## Pylons & Pylon Adapters

All pylons may be cut to length with a tube cutting guide or other equipment. Some pylons have a permanent adapter at one end while others come with 30 mm tube inserts. Tube inserts are included.

### 30 mm Aluminum Tube with Aluminum Adapter

Product Weight: 298 g

Warranty: 12 months from date of patient fitting

Product	Item #
Aluminum Fixed Adapter with 30 mm Aluminum Tube, 400 mm	FND-131330



### 30 mm Aluminum Tube with Titanium Adapter

Product Weight: 313 g

Warranty: 12 months from date of patient fitting

Product	Item #
Titanium Fixed Adapter with 30 mm Aluminum Tube, 400 mm	FND-221330



### 30 mm Aluminum Tube

Product Weight: 193 g

Warranty: 12 months from date of patient fitting

Product	Item #
30 mm Aluminum Tube, 400 mm, with 2 Inserts	FND-011330
30 mm Tube Insert	FND-000030



### Magnum 30 mm Composite Tube

Product Weight: 251 g

Warranty: 12 months from date of patient fitting, 24 months from date of patient fitting when purchased as part of a Magnum Heavy Duty Kit

Product	Item #
Magnum 30 mm Composite Tube, 400 mm	MHD-30CT*
Magnum 30 mm Composite Tube Insert	MHD-30CTI
Magnum Tube Cutting Guide	700-TL003

\* Two inserts included.



# Modular Components:

## Pylon Adapters

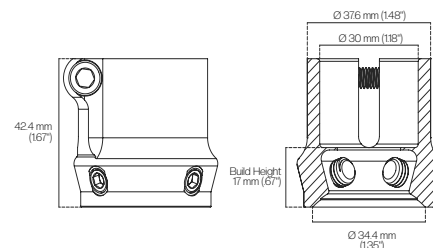
Connecting a pylon to a knee or a receiver is the job of endoskeletal adapters. These adapters can be especially useful in hard-to-fit cases or when there is little clearance. The Magnum 30 mm adapter is actually taller to provide more clamping force for heavy duty applications. Set Screws are included with all pylon adapters.

### Aluminum 30 mm Pylon Adapter

Product Weight: 86 g

Warranty: 12 months from date of patient fitting

Product	Item #
Aluminum 30 mm Pylon Adapter	FND-130030

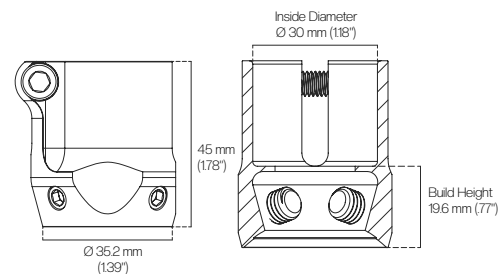


### Titanium 30 mm Pylon Adapter

Product Weight: 100 g

Warranty: 12 months from date of patient fitting

Product	Item #
Titanium 30 mm Pylon Adapter	FND-220030

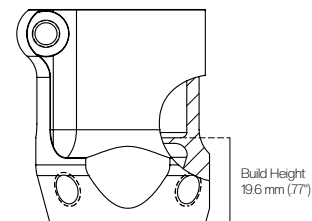


### Magnum Titanium 30 mm Adapter

Product Weight: 110 g

Warranty: 12 months from date of patient fitting, 24 months from date of patient fitting when purchased as part of a Magnum Heavy Duty Kit

Product	Item #
Magnum Titanium 30 mm Adapter	MHD-002



# Modular Components:

## Extension Adapters

When additional height is needed in a prosthesis, extension adapters can be valuable components. Available in various heights, extension adapters are offered with pyramids and receivers.

### Height Extension Adapters

Product Weight: 46 mm – 96 g  
24 mm – 79 g

Warranty: 12 months from date of patient fitting



Product	Item #
46 mm Height Extension Adapter	FND-136146
24 mm Height Extension Adapter	FND-136124

### Titanium Dual Pyramid Receivers

Product Weight: 75 mm – 126 g  
60 mm – 107 g  
45 mm – 92 g  
32 mm – 82 g

Warranty: 12 months from date of patient fitting

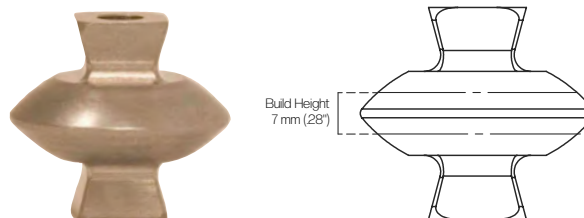


Product	Item #
75 mm Titanium Dual Pyramid Receivers	FND-228075
60 mm Titanium Dual Pyramid Receivers	FND-228060
45 mm Titanium Dual Pyramid Receivers	FND-228045
32 mm Titanium Dual Pyramid Receivers	FND-228032

### Magnum Titanium Double Ended Pyramid

Product Weight: 66 g

Warranty: 12 months from date of patient fitting, 24 months from date of patient fitting when purchased as part of a Magnum Heavy Duty Kit



Product	Item #
Magnum Titanium Double Ended Pyramid	MHD-DE-P

# Modular Components:

## 4-Hole Spacer Plates

Spacer plates provide extra height when needed as well as offset or angular offset in medial/lateral or anterior/posterior orientations.

Aluminum 4-hole Spacer Plates may be installed in either anterior/posterior or medial/lateral orientation. Available in a 12 mm offset, a five degree reverse angle offset and a five degree forward angle offset. These components are useful in dynamic alignment situations when additional angular adjustment is required. These plates may be left in the definitive prosthesis if desired. Screws included.

### Aluminum 4-Hole 12 mm Offset Plate

Product Weight: 54 g

Warranty: 12 months from date of patient fitting

Product	Item #
Aluminum 4-Hole 12 mm Offset Plate	FND-135106

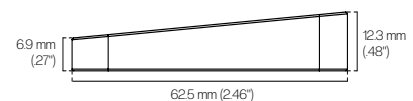
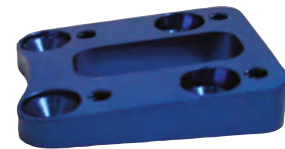


### Aluminum Reverse Angle Offset Plate

Product Weight: 54 g

Warranty: 12 months from date of patient fitting

Product	Item #
Aluminum Reverse Angle Offset Plate	FND-135107

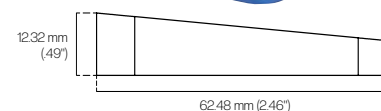
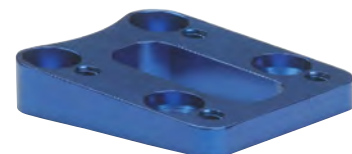


### Aluminum Forward Angle Offset Plate

Product Weight: 54 g

Warranty: 12 months from date of patient fitting

Product	Item #
Aluminum Forward Angle Offset Plate	FND-135105





# Modular Components:

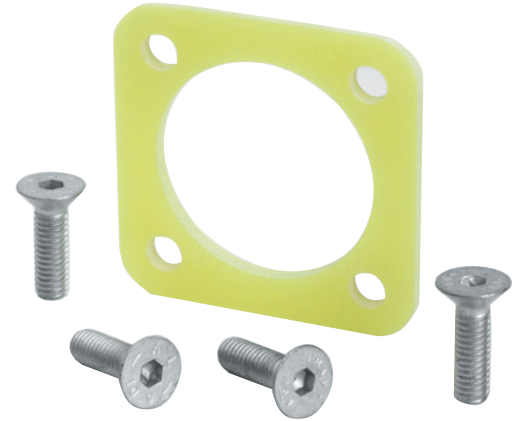
## 4-Hole Spacer Plates

### 4-Hole Adapter Spacer Plates

The 4-hole adapter spacer plates are ISO tested and are light weight. Both spacer plates measure 2" x 2".

Product Weight: With screws - 26 g  
Without screws - 10 g

Warranty: 12 months from date of patient fitting



Product	Item #
4-Hole Adapter 1/8" Spacer Plate	700-300
4-Hole Adapter 3/8" Spacer Plate	700-375

### LimbLogic® Vacuum Plate

The LimbLogic Vacuum Plate is suitable for instances when there is insufficient clearance to mount the LimbLogic pump directly below the socket. The plate allows practitioners to relocate the controller while maintaining the in-line design of a prosthesis. Additionally, practitioners may use the plate to retrofit existing vacuum sockets to use with LimbLogic.

Product Weight: 50 g

Warranty: 12 months from date of patient fitting

Product	Item #
LimbLogic Vacuum Plate	LLV-01043



# Modular Components:

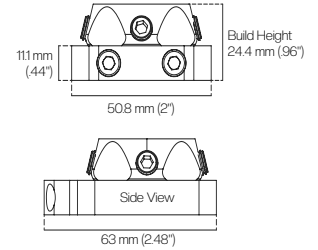
## 4-Hole Pyramid Receiver Adapters

### Titanium Rotatable Pyramid Receiver

The Titanium Rotatable Pyramid Receiver is lightweight and provides 360 degrees of rotation. Set screws are included.

Product Weight: 103 g

Warranty: 12 months from date of patient fitting



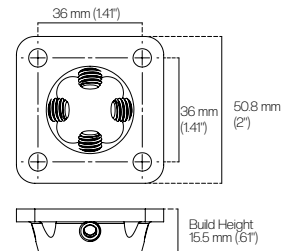
Product	Item #
Titanium Rotatable Pyramid Receiver	FND-228002

### Titanium Pyramid Receiver

The Titanium Pyramid Receiver is lightweight and provides 360 degrees of rotation. Set screws are included.

Product Weight: 70 g

Warranty: 12 months from date of patient fitting



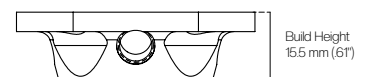
Product	Item #
Titanium Pyramid Receiver	FND-227004

### Titanium Pyramid Receiver

The non-rotatable 4-Hole Titanium Pyramid Receiver and Magnum Titanium 4-Hole Pyramid Receiver attach to any socket or knee with a distal 4-hole pattern. Set screws are included.

Product Weight: 58 g

Warranty: 12 months from date of patient fitting



Product	Item #
Magnum Titanium 4-Hole Pyramid Receiver	MHD-PR-4

# Modular Components:

## Titanium 4-Hole Pyramid Adapters

### Titanium Rotatable Pyramid Adapter

The Titanium Rotatable Pyramid Adapter is lightweight and provides 360 degrees of rotation. Set screws are included.

Product Weight: 57 g

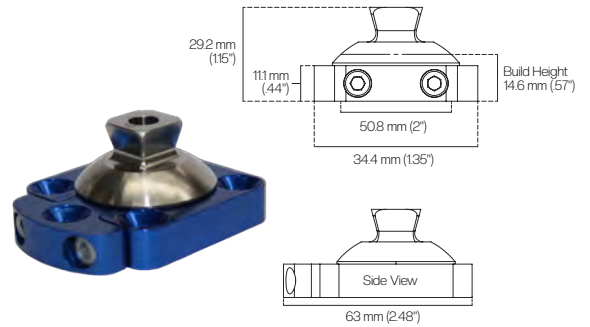
Warranty: 12 months from date of patient fitting

**Product**

Titanium Rotatable Pyramid Receiver

**Item #**

FND-228003



### Titanium Rotatable Pyramid Adapter

The 4-Hole Titanium Pyramid Adapter attaches to any socket or knee with a distal 4-hole pattern.

Product Weight: 56 g

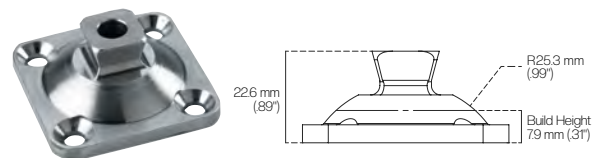
Warranty: 12 months from date of patient fitting

**Product**

Titanium 4-Hole Pyramid Receiver

**Item #**

FND-227014



### Titanium 4-Hole Pyramid, 20 mm Offset

The Titanium 4-Hole Pyramid Adapter, 20 mm Offset attaches to any socket or knee with a distal 4-hole pattern. The pyramid is offset 20 mm anterior/posterior or medial/lateral from the center. Screws are included.

Product Weight: 93 g

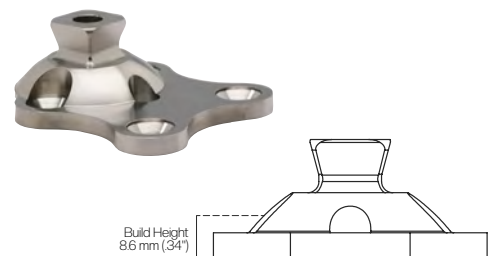
Warranty: 12 months from date of patient fitting

**Product**

Titanium 4-Hole Pyramid, 20 mm Offset

**Item #**

FND-224120



# Modular Components:

## Titanium 4-Hole Pyramid Adapters

### Titanium 4-Hole Slide Adapter with Rotation

The Titanium 4-Hole Slide Adapter with Rotation provides 360 degrees of rotation and 1/2" of slide. Set screws are included.

Product Weight: 125 g

Warranty: 12 months from date of patient fitting

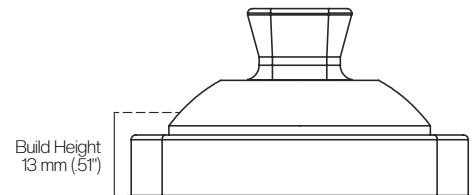


Product

Item #

Titanium 4-Hole Slide Adapter with Rotation

FND-224150



### LimbLogic® Vacuum Pyramid

The LimbLogic Vacuum Pyramid is suitable for instances when there is insufficient clearance to mount the LimbLogic pump directly below the socket. The Vacuum Pyramid allows practitioners to relocate the controller while maintaining the in-line design of a prosthesis. Additionally, practitioners may use the Vacuum Pyramid to retrofit existing vacuum sockets to use with LimbLogic.

Product Weight: 62 g

Warranty: 12 months from date of patient fitting

Product

Item #

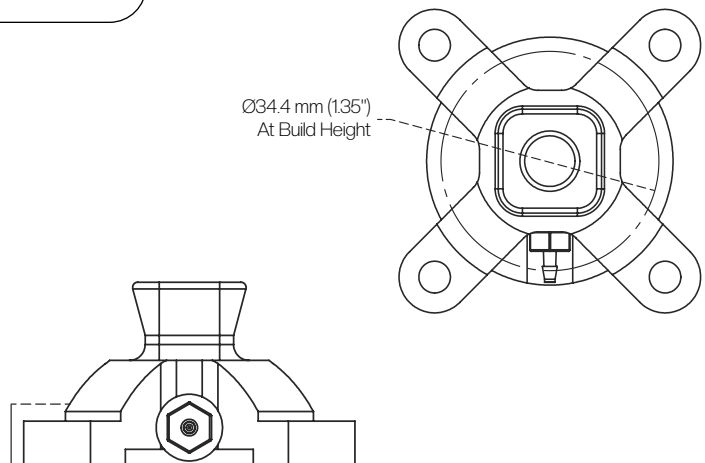
LimbLogic Vacuum Pyramid

FND-01044



Ø34.4 mm (1.35")  
At Build Height

Build Height  
8.9 mm (.35")



# Modular Components:

## Suction Pyramid Adapters

The Suction Pyramid's one-way air expulsion valve is contained within a four-hole pyramid adapter and bolted onto the distal end of the socket. Available in either stainless steel or titanium, the Suction Pyramid can be purchased by itself or in a kit with a Laminated Socket Attachment Block. The Magnum Titanium 4-Hole Suction Pyramid is recommended for heavy duty suspension.

### Titanium Suction Pyramid Kit

Product Weight: 64 g

Warranty: 12 months from date of patient fitting

Product	Item #
Titanium Suction Pyramid Kit	700-SP470
Titanium Suction Pyramid	700-SP471
Screen	700-AB452

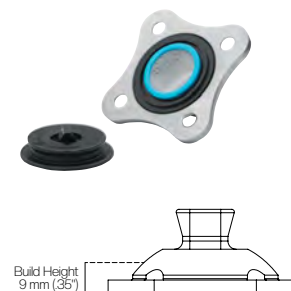


### Stainless Steel Suction Pyramid Kit

Product Weight: 100 g

Warranty: 12 months from date of patient fitting

Product	Item #
Stainless Steel Suction Pyramid Kit	700-SP460
Stainless Steel Suction Pyramid	700-SP461
Screen	700-AB452

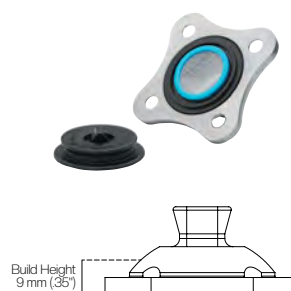


### Magnum Titanium 4-Hole Suction Pyramid

Product Weight: 61 g

Warranty: 12 months from date of patient fitting

Product	Item #
Magnum Titanium 4-Hole Suction Pyramid	MHD-SP4
Screen	700-AB452



# Modular Components:

## Cosmetic Foam

### Transfemoral Foam Covers

Easy Shape AK Foam Covers have a firm durometer in the calf and thigh sections for easy shaping. A more flexible foam is used in the knee section so that flexion and extension of the knee are not restricted. The AK Foam Cover continues to be very popular due to its consistency and firmness. All Easy Shape AK Foam Covers and the AK Foam Covers are preshaped and preflexed to 30 degrees, and are available with a standard center hole. Available in Buff or Medium Brown.

Center Hole: Standard

Length: 91 cm (36")



Product	Item #
AK Foam Cover, Left, Buff	CFB-1AK-LB
AK Foam Cover, Left, Medium Brown	CFB-1AK-LM
AK Foam Cover, Right, Buff	CFB-1AK-RB
AK Foam Cover, Right, Medium Brown	CFB-1AK-RM
AK Foam Cover, Left, Buff, Vacuum Packed	CFB-1AK-LB-V
AK Foam Cover, Left, Medium Brown, Vacuum Packed	CFB-1AK-LM-V
AK Foam Cover, Right, Buff, Vacuum Packed	CFB-1AK-RB-V
AK Foam Cover, Right, Medium Brown, Vacuum Packed	CFB-1AK-RM-V

### Transtibial Foam Covers

The BK Foam Cover is firmer and 10% lighter than many other transtibial foam covers. Center holes are 1" (25 mm) for use with 18 mm and 23 mm pylons, and 1-1/4" (32 mm) for use with 30 mm tubes. Available in Buff or Medium Brown.

Center Hole: 1" diameter or 1-1/4" diameter

Product	Item #
BK Foam Cover, 1" (25 mm) Center Hole, Buff	CFB-1BK-B-25
BK Foam Cover, 1" (25 mm) Center Hole, Vacuum Packed, Buff	CFB-1BK-B-25V
BK Foam Cover, 1" (25 mm) Center Hole, Medium Brown	CFB-1BK-M-25
BK Foam Cover, 1" (25 mm) Center Hole, Vacuum Packed, Medium Brown	CFB-1BK-M-25V
BK Foam Cover, 1-1/4" (32 mm) Center Hole, Buff	CFB-1BK-B-32
BK Foam Cover, 1-1/4" (32 mm) Center Hole, Vacuum Packed, Buff	CFB-1BK-B-32V
BK Foam Cover, 1-1/4" (32 mm) Center Hole, Medium Brown	CFB-1BK-M-32
BK Foam Cover, 1-1/4" (32 mm) Center Hole, Vacuum Packed, Medium Brown	CFB-1BK-M-32V



WILLOWWOOD

[WWW.WILLOWWOOD.COM](http://WWW.WILLOWWOOD.COM)

Patent [willowwood.com/education-and-resources/patents](http://willowwood.com/education-and-resources/patents)